

Technical data

	operation when directly connected to chimney		operation when connected accumulation mass	
	cupola	hot air exchanger	cupola	adaptor
Energy label	A	A+	A+	A+
Operating data				
Nominal heat power	8 kW	12 kW	----	----
Efficiency	> 80 %	> 80 %	----	----
Consumption of wood	2,4 kg/h	3,5 kg/h	5,5 kg	5 kg
Total heat output of the burning chamber	----	----	22 kW	18 kW
Average heat output / heat accumulation time ⁵	----	----	2,2 kW / 8 h	1,8 kW / 8 h
Mass flow of flue gas	8 g/s	10 g/s	15 g/s	16 g/s
Required chimney pressure	12 Pa	12 Pa	12 Pa	15 Pa
Required amount of combustion air	25 m ³ /h	30 m ³ /h	50 m ³ /h	45 m ³ /h
Average flue gas temperature				
on the output	249 °C	269 °C	356 °C	380 °C
behind 3,2 m of ceramic accumulation system KMS 300 ¹	----	----	184 °C	----
behind accumulation rings (5x acc. ring Ø440mm)	----	----	----	217 °C
Heat distribution				
fireplace insert	60–70 %	60–70 %	37 %	33 %
door glass (single / double)	38 / 26 %	38 / 26 %	38 / 26 %	38 / 26 %
additional accumulation mass	----	----	60–70 %	29–41 %
Information for ventilated builds				
Minimal grill area supply / outgoing	700 / 1050 cm ²	850 / 1250 cm ²	850 / 1250 cm ²	850 / 1250 cm ²
Minimum distance from insulated areas / floor	50 / 0 mm		50 / 0 mm	
Reference insulation ² ceiling / back wall / side wall / floor	120 / 80 / 80 / 0 mm		120 / 80 / 80 / 0 mm	
Calciumsilicate insulation ³ ceiling / back wall / side wall / floor	90 / 60 / 60 / 0 mm		90 / 60 / 60 / 0 mm	
Information for non-ventilated builds (closed grills)				
Minimum radiant area ⁴	suitable		4,5 m ²	
Minimum distance from insulated areas / floor	50 / 20 mm		50 / 20 mm	
Reference insulation ² ceiling / back wall / side wall / floor	160 / 100 / 100 / 20 mm		160 / 100 / 100 / 20 mm	
Calciumsilicate insulation ³ ceiling / back wall / side wall / floor	120 / 75 / 75 / 20 mm		120 / 75 / 75 / 20 mm	
General technical information				
Total weight / lining weight	circa 320 / 87 kg		circa 320 / 87 kg	circa 465 / 87 kg
Burning chamber dimensions (width x depth)	53,5 x 31,5 cm			
Combustion air connection	Ø 125 mm			
Use in non-ventilated accumulation builds according to craft rules	suitable			
Tested according to	EN 13229			
Meets values	BlmSchV (Stufe2), 15a BVG			

¹ Listed value from testing. For accurate results is evaluation of each system in the Ortner / KOV program necessary

² Mineral wool according to AGI-Q 132

³ Example SkamoEnclosure Board 225 kg/m³

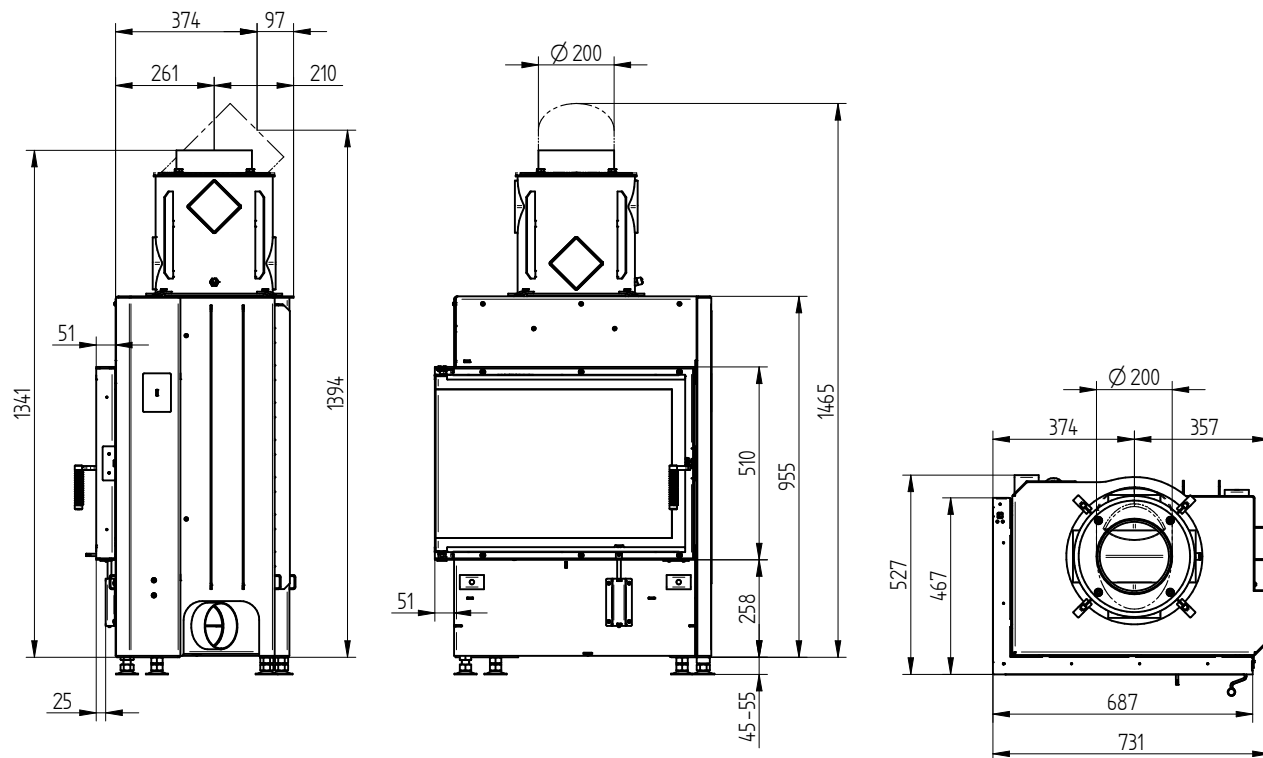
⁴ Depends on accumulation period and material characteristics. Listed values calculated with average specific heat output = approx. 500 W/m²

⁵ Storage operation, one wood charge for storage duration, with closed construction and efficiency > 80%

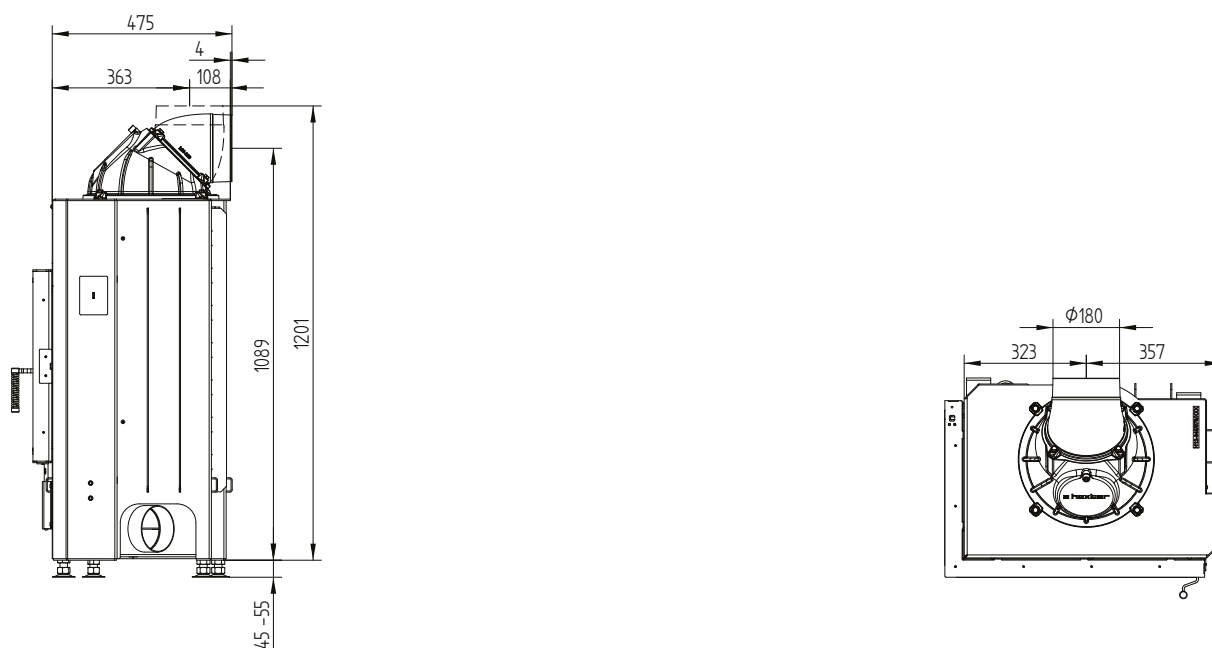
ECKA 67/45/51L

Technical data
Version 09/2023

ECKA 67/45/51L left side opening hot air exchanger vertical / smoke outlet 45°



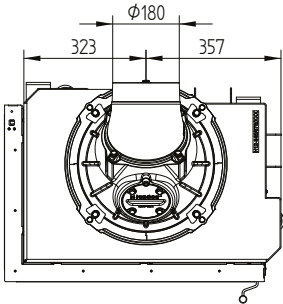
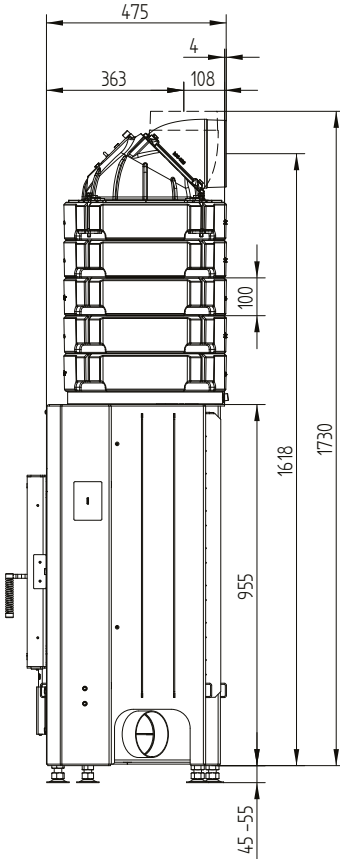
ECKA 67/45/51L left side opening cupola



ECKA 67/45/51L

Technical data
Version 09/2023

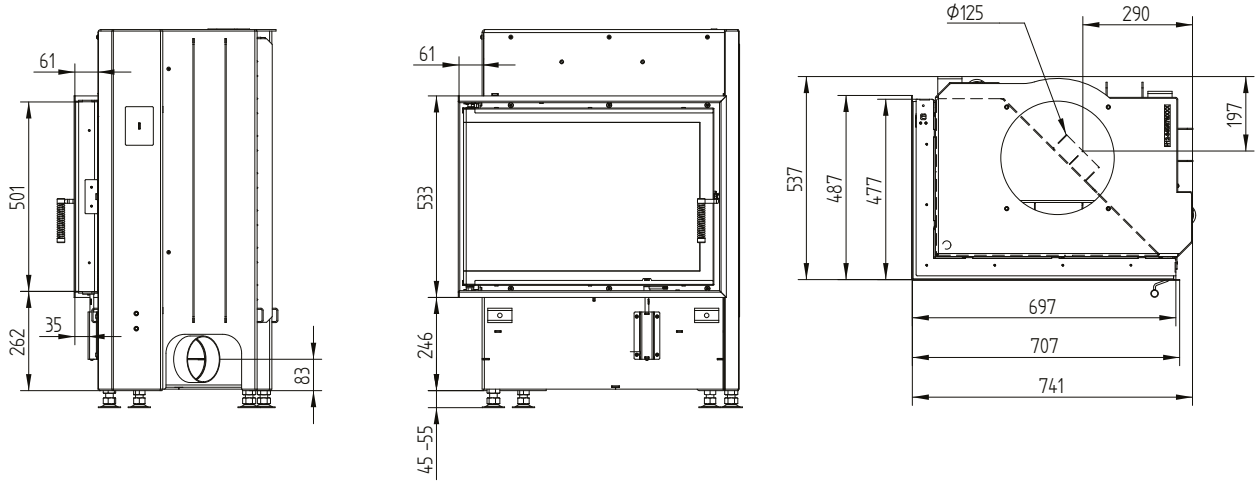
ECKA 67/45/51L left side opening accumulation set



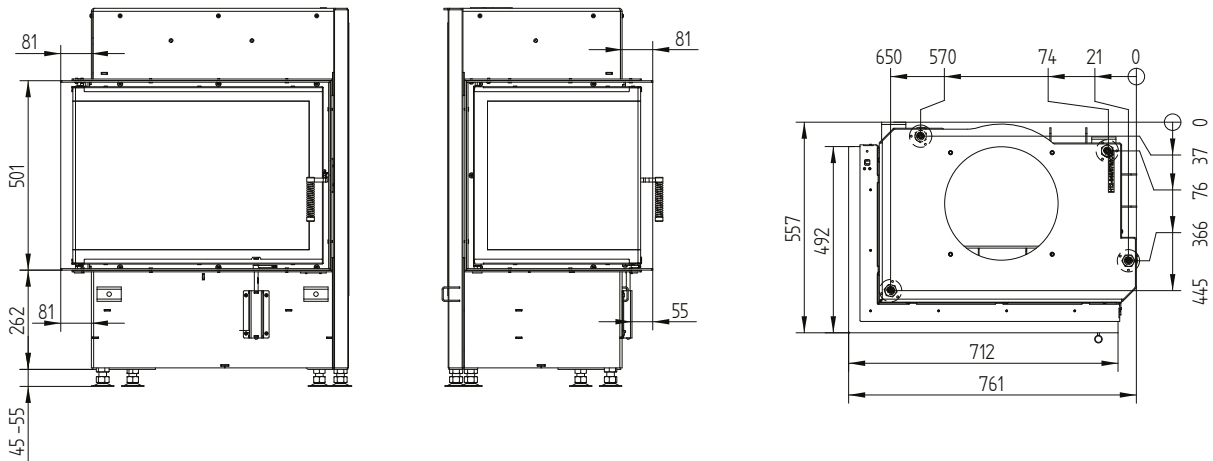
ECKA 67/45/51L

Technical data
Version 09/2023

Cover frame 67/45/51 left-right side opening 6sides 60 mm 1 x 90° / air inlet



Build-on frame 67/45/51L left side opening 6sides 80 mm / feet



Technical data

	operation when directly connected to chimney		operation when connected accumulation mass	
	cupola	hot air exchanger	cupola	adaptor
Energy label	A	A+	A+	A+
Operating data				
Nominal heat power	8 kW	12 kW	----	----
Efficiency	> 80 %	> 80 %	----	----
Consumption of wood	2,4 kg/h	3,5 kg/h	5,5 kg	5 kg
Total heat output of the burning chamber	----	----	22 kW	18 kW
Average heat output / heat accumulation time ⁵	----	----	2,2 kW / 8 h	1,8 kW / 8 h
Mass flow of flue gas	8 g/s	10 g/s	15 g/s	16 g/s
Required chimney pressure	12 Pa	12 Pa	12 Pa	15 Pa
Required amount of combustion air	25 m ³ /h	30 m ³ /h	50 m ³ /h	45 m ³ /h
Average flue gas temperature				
on the output	249 °C	269 °C	356 °C	380 °C
behind 3,2 m of ceramic accumulation system KMS 300 ¹	----	----	184 °C	----
behind accumulation rings (5x acc. ring Ø440mm)	----	----	----	217 °C
Heat distribution				
fireplace insert	60–70 %	60–70 %	37 %	33 %
door glass (single / double)	38 / 26 %	38 / 26 %	38 / 26 %	38 / 26 %
additional accumulation mass	----	----	60–70 %	29–41 %
Information for ventilated builds				
Minimal grill area supply / outgoing	700 / 1050 cm ²	850 / 1250 cm ²	850 / 1250 cm ²	850 / 1250 cm ²
Minimum distance from insulated areas / floor	50 / 0 mm		50 / 0 mm	
Reference insulation ² ceiling / back wall / side wall / floor	120 / 80 / 80 / 0 mm		120 / 80 / 80 / 0 mm	
Calciumsilicate insulation ³ ceiling / back wall / side wall / floor	90 / 60 / 60 / 0 mm		90 / 60 / 60 / 0 mm	
Information for non-ventilated builds (closed grills)				
Minimum radiant area ⁴	suitable		4,5 m ²	
Minimum distance from insulated areas / floor	50 / 20 mm		50 / 20 mm	
Reference insulation ² ceiling / back wall / side wall / floor	160 / 100 / 100 / 20 mm		160 / 100 / 100 / 20 mm	
Calciumsilicate insulation ³ ceiling / back wall / side wall / floor	120 / 75 / 75 / 20 mm		120 / 75 / 75 / 20 mm	
General technical information				
Total weight / lining weight	circa 320 / 87 kg		circa 320 / 87 kg	circa 465 / 87 kg
Burning chamber dimensions (width x depth)	53,5 x 31,5 cm			
Combustion air connection	Ø 125 mm			
Use in non-ventilated accumulation builds according to craft rules	suitable			
Tested according to	EN 13229			
Meets values	BlmSchV (Stufe2), 15a BVG			

¹ Listed value from testing. For accurate results is evaluation of each system in the Ortnr / KOV program necessary

² Mineral wool according to AGI-Q 132

³ Example SkamoEnclosure Board 225 kg/m³

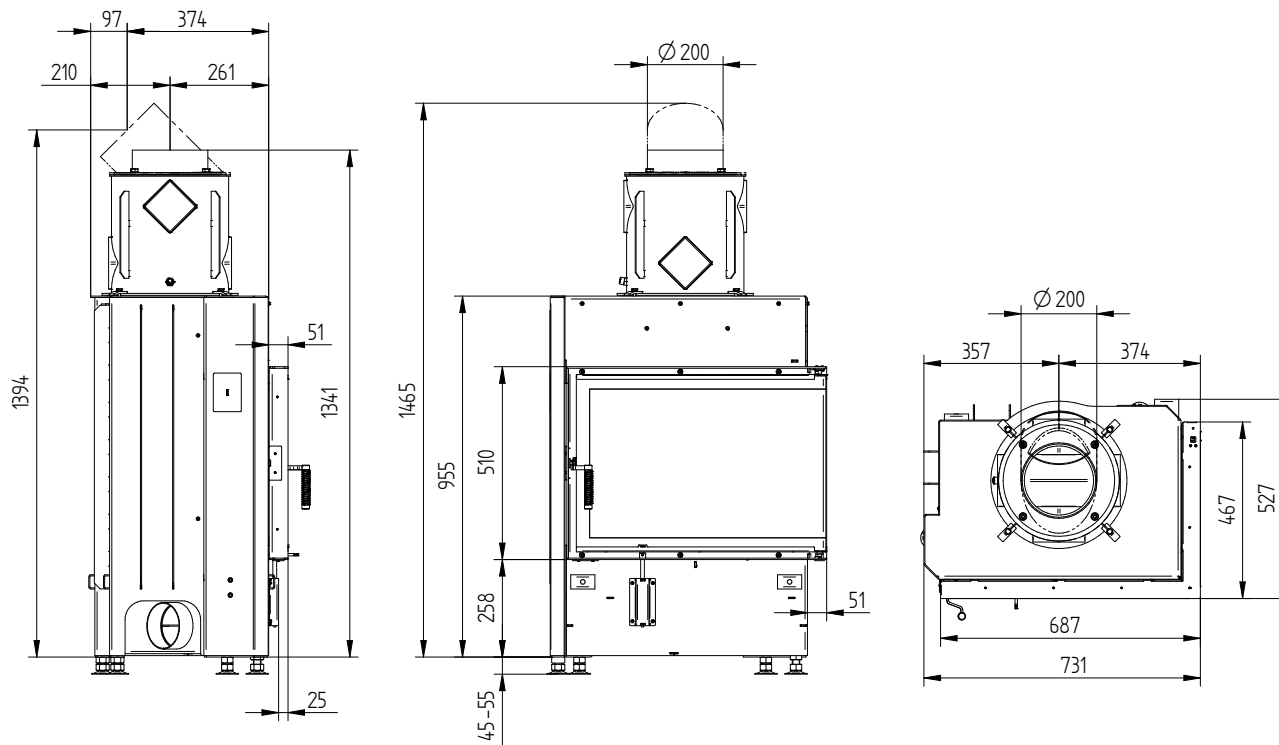
⁴ Depends on accumulation period and material characteristics. Listed values calculated with average specific heat output = approx. 500 W/m²

⁵ Storage operation, one wood charge for storage duration, with closed construction and efficiency > 80%

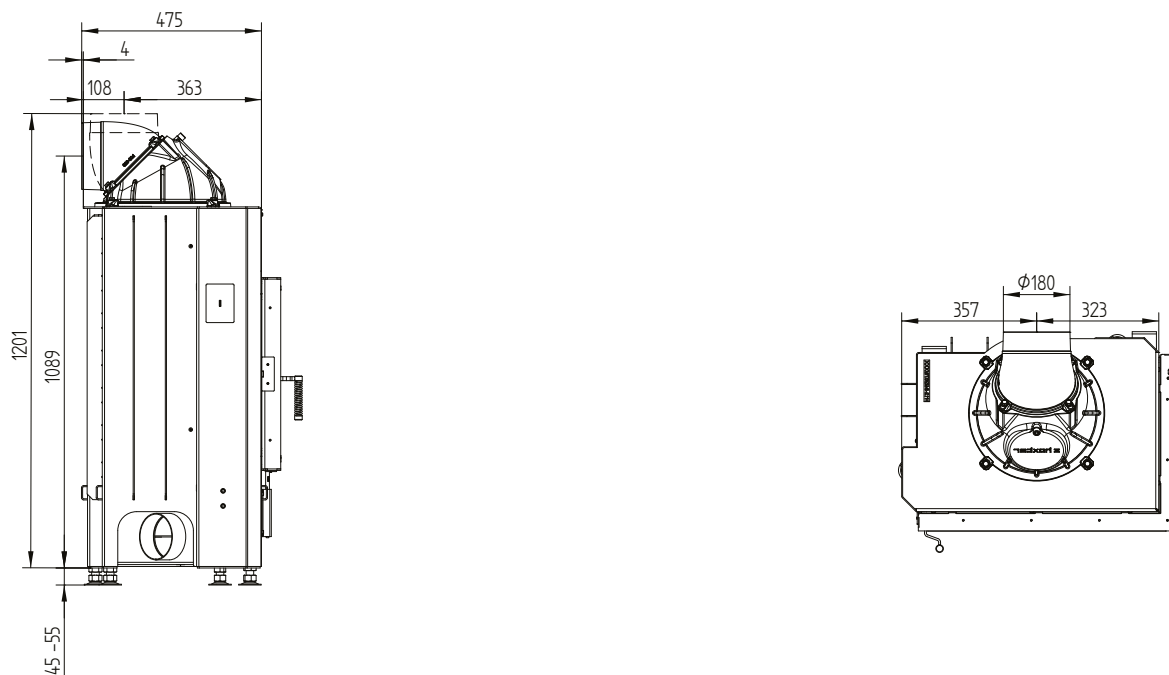
ECKA 67/45/51R

Technical data
Version 09/2023

ECKA 67/45/51R right side opening hot air exchanger vertical / smoke outlet 45°



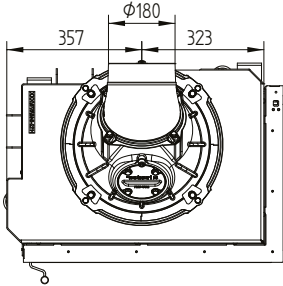
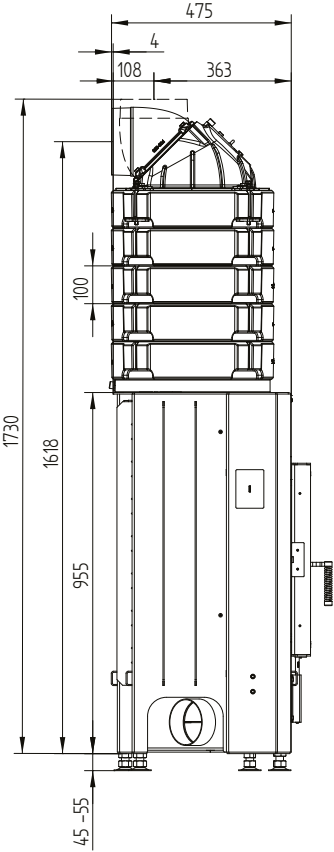
ECKA 67/45/51R right side opening cupola



ECKA 67/45/51R

Technical data
Version 09/2023

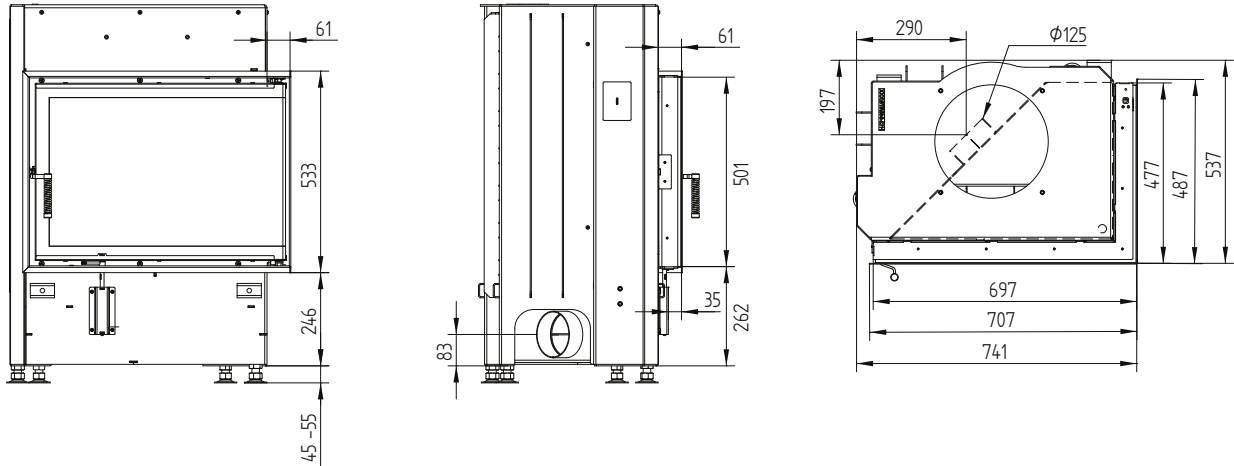
ECKA 67/45/51R right side opening accumulation set



ECKA 67/45/51R

Technical data
Version 09/2023

Cover frame 67/45/51 left-right side opening 6sides 60 mm 1 x 90° / air inlet



Build-on frame 67/45/51R right side opening 6sides 80 mm / feet

