

## Technical data

	operation when directly connected to chimney		operation when connected accumulation mass	
	cupola	hot air exchanger	cupola	adaptor
Energy label	<b>A</b>	<b>A+</b>	<b>A+</b>	<b>A+</b>
<b>Operating data</b>				
Nominal heat power	8 kW	12 kW	----	----
Efficiency	> 80 %	> 80 %	----	----
Consumption of wood	2,4 kg/h	3,5 kg/h	5,5 kg	5 kg
Total heat output of the burning chamber	----	----	22 kW	20 kW
Average heat output / heat accumulation time <sup>5</sup>	----	----	2,2 kW / 8 h	2 kW / 8 h
Mass flow of flue gas	8 g/s	10 g/s	15 g/s	16 g/s
Required chimney pressure	12 Pa	12 Pa	12 Pa	15 Pa
Required amount of combustion air	25 m³/h	30 m³/h	50 m³/h	45 m³/h
<b>Average flue gas temperature</b>				
on the output	249 °C	269 °C	356 °C	380 °C
behind 3,2 m of ceramic accumulation system KMS 300 <sup>1</sup>	----	----	184 °C	----
behind accumulation rings (5x acc. ring Ø440mm)	----	----	----	217 °C
<b>Heat distribution</b>				
fireplace insert	62–74 %	62–74 %	37 %	33 %
door glass (single / double)	38 / 26 %	38 / 26 %	38 / 26 %	38 / 26 %
additional accumulation mass	----	----	25–37 %	29–41 %
<b>Information for ventilated builds</b>				
Minimal grill area supply / outgoing	700 / 850 cm²	1050 / 1250 cm²	1050 / 1250 cm²	1050 / 1250 cm²
Minimum distance from insulated areas / floor	50 / 0 mm		50 / 0 mm	
Reference insulation <sup>2</sup> ceiling / back wall / side wall / floor	120 / 80 / 80 / 0 mm		120 / 80 / 80 / 0 mm	
Calciumsilicate insulation <sup>3</sup> ceiling / back wall / side wall / floor	90 / 60 / 60 / 0 mm		90 / 60 / 60 / 0 mm	
<b>Information for non-ventilated builds (closed grills)</b>				
Minimum radiant area <sup>4</sup>	suitable		4,5 m²	
Minimum distance from insulated areas / floor	50 / 20 mm		50 / 20 mm	
Reference insulation <sup>2</sup> ceiling / back wall / side wall / floor	160 / 100 / 100 / 20 mm		160 / 100 / 100 / 20 mm	
Calciumsilicate insulation <sup>3</sup> ceiling / back wall / side wall / floor	120 / 75 / 75 / 20 mm		120 / 75 / 75 / 20 mm	
<b>General technical information</b>				
Total weight / lining weight	circa 320 / 87 kg		circa 320 / 87 kg	
Burning chamber dimensions (width x depth)	535 x 315 mm			
Combustion air connection	Ø 125 mm			
Use in non-ventilated accumulation builds according to craft rules	suitable			
Tested according to	EN 13229			
Meets values	1. BlmSchV (Stufe2), 15a BVG, NS 3059			

1 Listed value from testing. For accurate results is evaluation of each system in the Ortner / KOV program necessary

2 Mineral wool according to AGI-Q 132

3 Example SkamoEnclosure Board 225 kg/m³

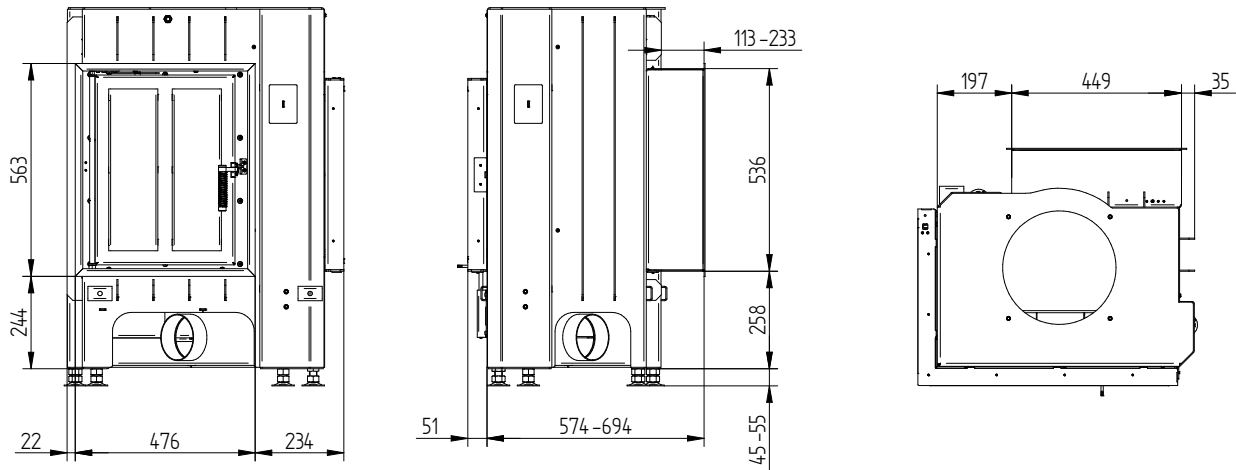
4 Depends on accumulation period and material characteristics. Listed values calculated with average specific heat output = approx. 500 W/m²

5 Storage operation, one wood charge for storage duration, with closed construction and efficiency > 80%

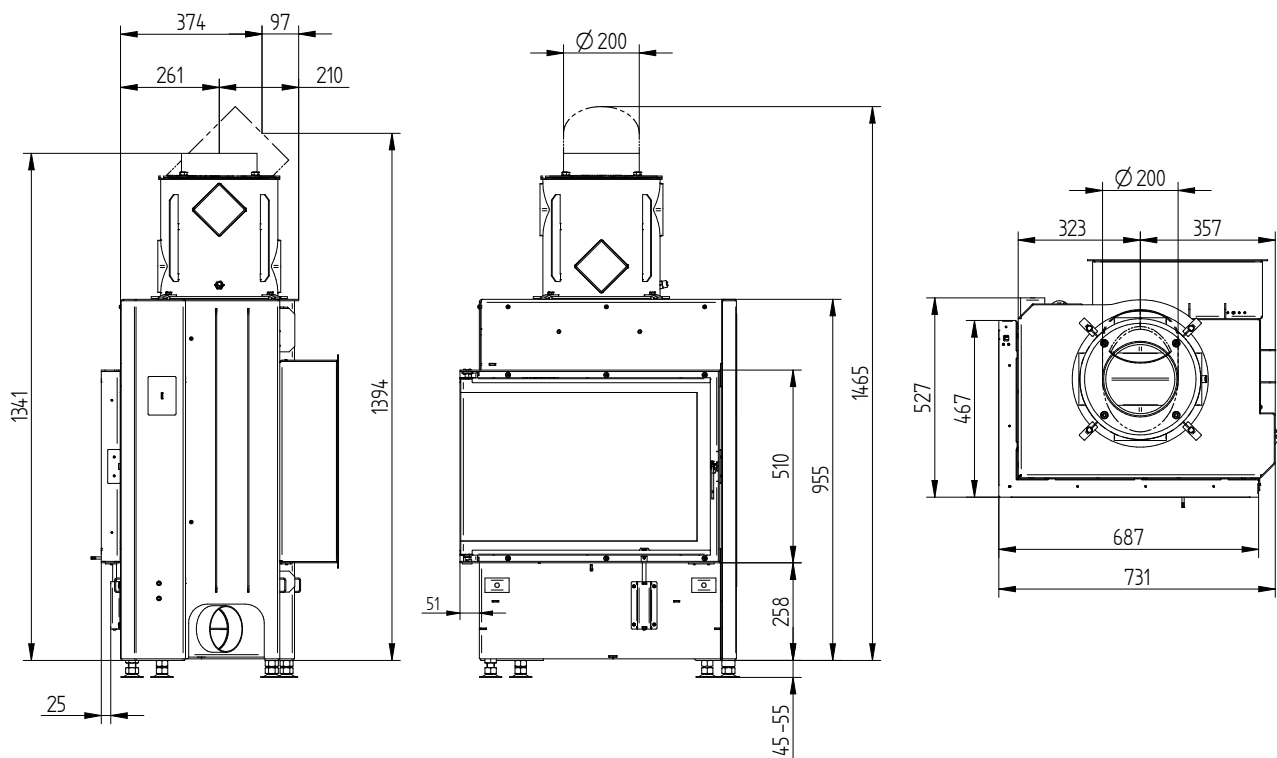
# ECKA 67/45/51La

Technical data  
Version 09/2023

## ECKA 67/45/51La left rear feeding side opening



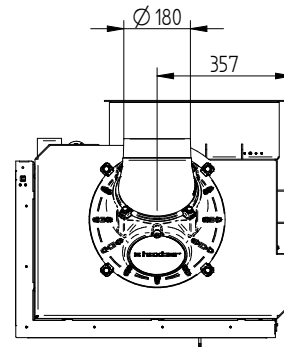
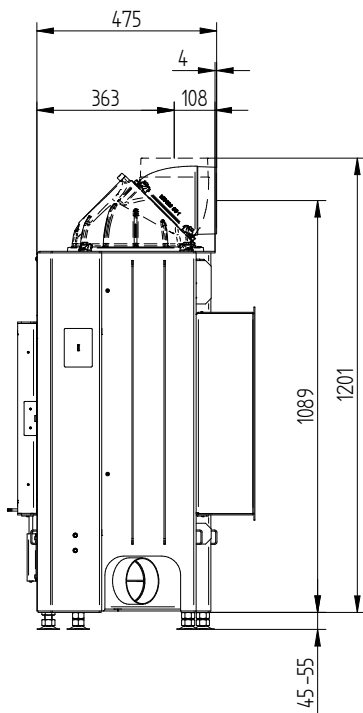
## ECKA 67/45/51La left rear feeding side opening hot air exchanger vertical / smoke outlet 45°



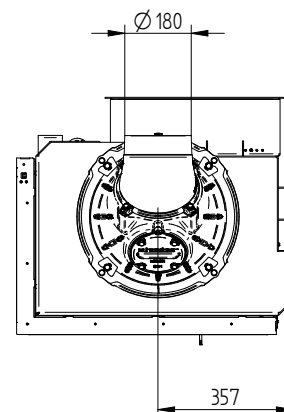
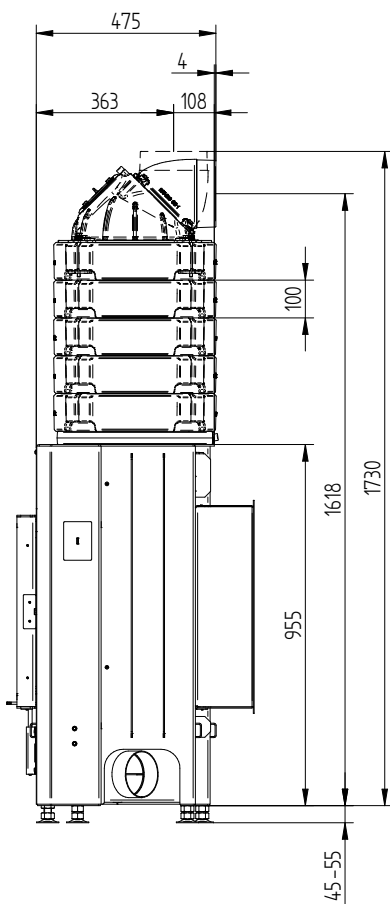
# ECKA 67/45/51La

Technical data  
Version 09/2023

## ECKA 67/45/51La left rear feeding side opening cupola



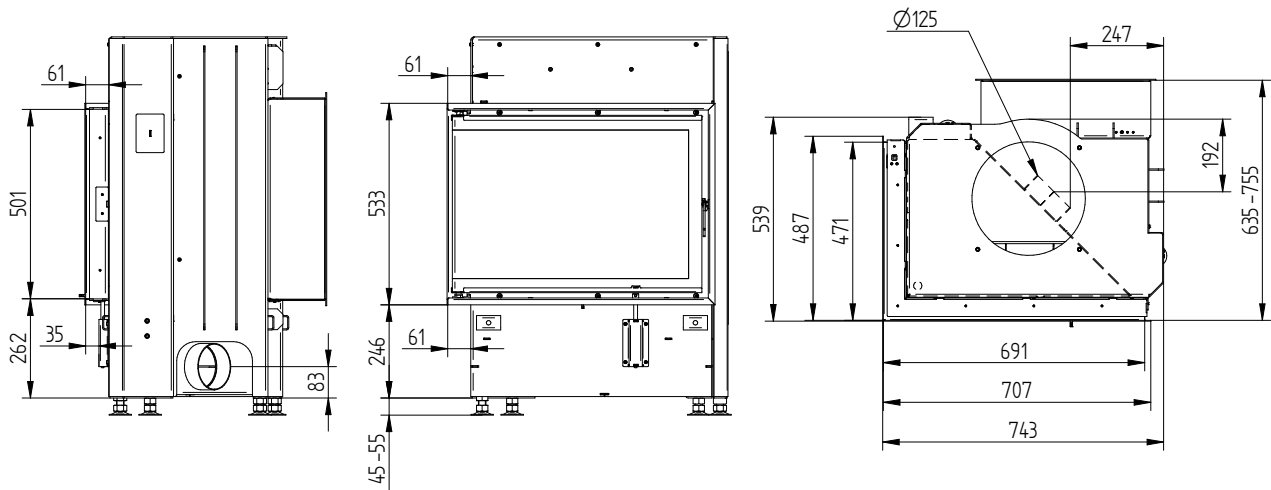
## ECKA 67/45/51La left rear feeding side opening accumulation set



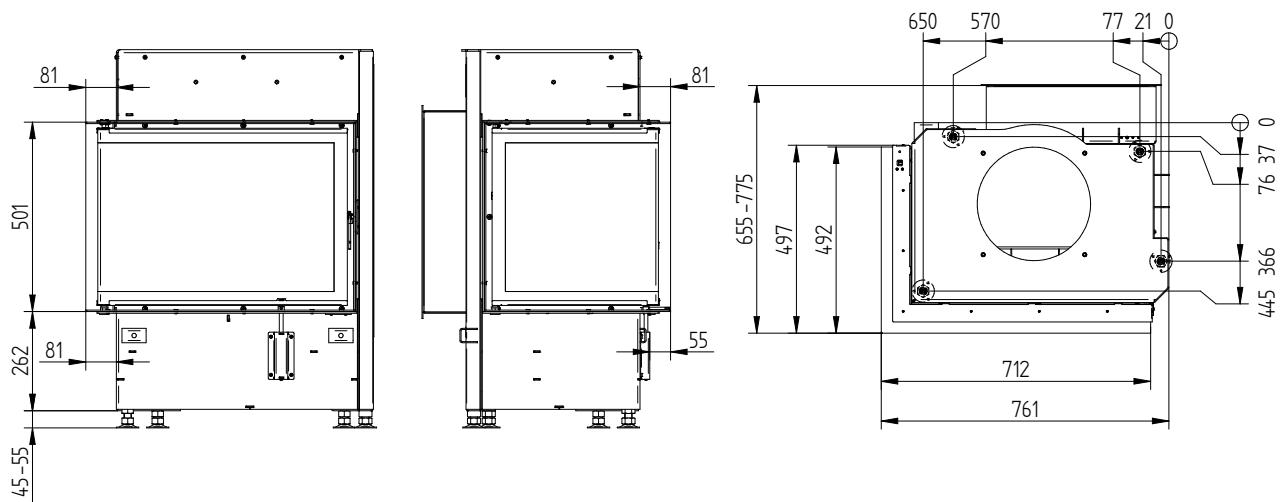
# ECKA 67/45/51La

Technical data  
Version 09/2023

## Cover frame 67/45/51 left-right side opening 6sides 60 mm 1 x 90° / air inlet



## Build-on frame 67/45/51L left side opening 6sides 80 mm / feet



## Technical data

	operation when directly connected to chimney		operation when connected accumulation mass	
	cupola	hot air exchanger	cupola	adaptor
Energy label	<b>A</b>	<b>A+</b>	<b>A+</b>	<b>A+</b>
<b>Operating data</b>				
Nominal heat power	8 kW	12 kW	----	----
Efficiency	> 80 %	> 80 %	----	----
Consumption of wood	2,4 kg/h	3,5 kg/h	5,5 kg	5 kg
Total heat output of the burning chamber	----	----	22 kW	20 kW
Average heat output / heat accumulation time <sup>5</sup>	----	----	2,2 kW / 8 h	2 kW / 8 h
Mass flow of flue gas	8 g/s	10 g/s	15 g/s	16 g/s
Required chimney pressure	12 Pa	12 Pa	12 Pa	15 Pa
Required amount of combustion air	25 m <sup>3</sup> /h	30 m <sup>3</sup> /h	50 m <sup>3</sup> /h	45 m <sup>3</sup> /h
<b>Average flue gas temperature</b>				
on the output	249 °C	269 °C	356 °C	380 °C
behind 3,2 m of ceramic accumulation system KMS 300 <sup>1</sup>	----	----	184 °C	----
behind accumulation rings (5x acc. ring Ø440mm)	----	----	----	217 °C
<b>Heat distribution</b>				
fireplace insert	62–74 %	62–74 %	37 %	33 %
door glass (single / double)	38 / 26 %	38 / 26 %	38 / 26 %	38 / 26 %
additional accumulation mass	----	----	25–37 %	29–41 %
<b>Information for ventilated builds</b>				
Minimal grill area supply / outgoing	700 / 850 cm <sup>2</sup>	1050 / 1250 cm <sup>2</sup>	1050 / 1250 cm <sup>2</sup>	1050 / 1250 cm <sup>2</sup>
Minimum distance from insulated areas / floor	50 / 0 mm		50 / 0 mm	
Reference insulation <sup>2</sup> ceiling / back wall / side wall / floor	120 / 80 / 80 / 0 mm		120 / 80 / 80 / 0 mm	
Calciumsilicate insulation <sup>3</sup> ceiling / back wall / side wall / floor	90 / 60 / 60 / 0 mm		90 / 60 / 60 / 0 mm	
<b>Information for non-ventilated builds (closed grills)</b>				
Minimum radiant area <sup>4</sup>	suitable		4,5 m <sup>2</sup>	
Minimum distance from insulated areas / floor	50 / 20 mm		50 / 20 mm	
Reference insulation <sup>2</sup> ceiling / back wall / side wall / floor	160 / 100 / 100 / 20 mm		160 / 100 / 100 / 20 mm	
Calciumsilicate insulation <sup>3</sup> ceiling / back wall / side wall / floor	120 / 75 / 75 / 20 mm		120 / 75 / 75 / 20 mm	
<b>General technical information</b>				
Total weight / lining weight	circa 320 / 87 kg		circa 320 / 87 kg	
Burning chamber dimensions (width x depth)	535 x 315 mm			
Combustion air connection	Ø 125 mm			
Use in non-ventilated accumulation builds according to craft rules	suitable			
Tested according to	EN 13229			
Meets values	1. BlmSchV (Stufe2), 15a BvG, NS 3059			

1 Listed value from testing. For accurate results is evaluation of each system in the Ortnr / KOV program necessary

2 Mineral wool according to AGI-Q 132

3 Example SkamoEnclosure Board 225 kg/m<sup>3</sup>

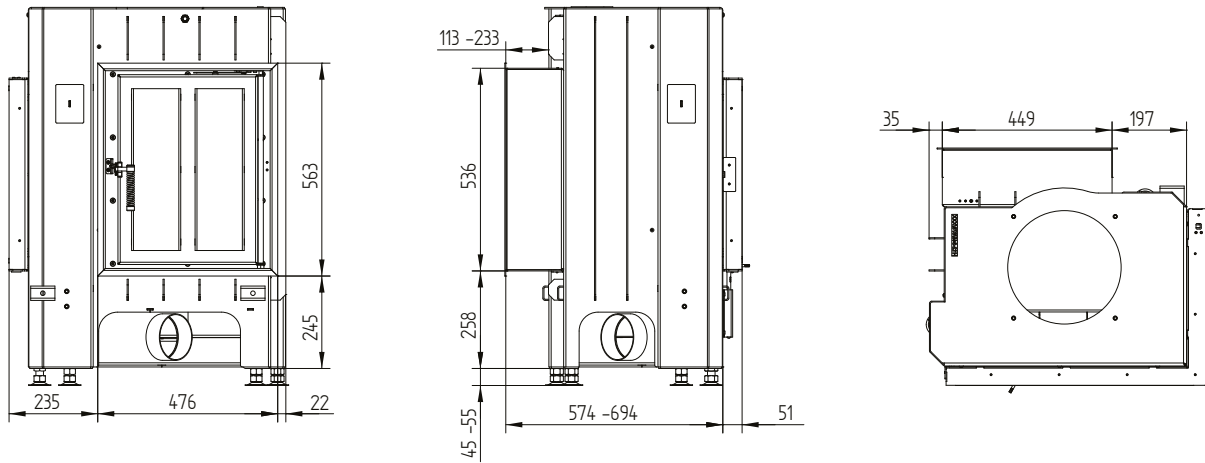
4 Depends on accumulation period and material characteristics. Listed values calculated with average specific heat output = approx. 500 W/m<sup>2</sup>

5 Storage operation, one wood charge for storage duration, with closed construction and efficiency > 80%

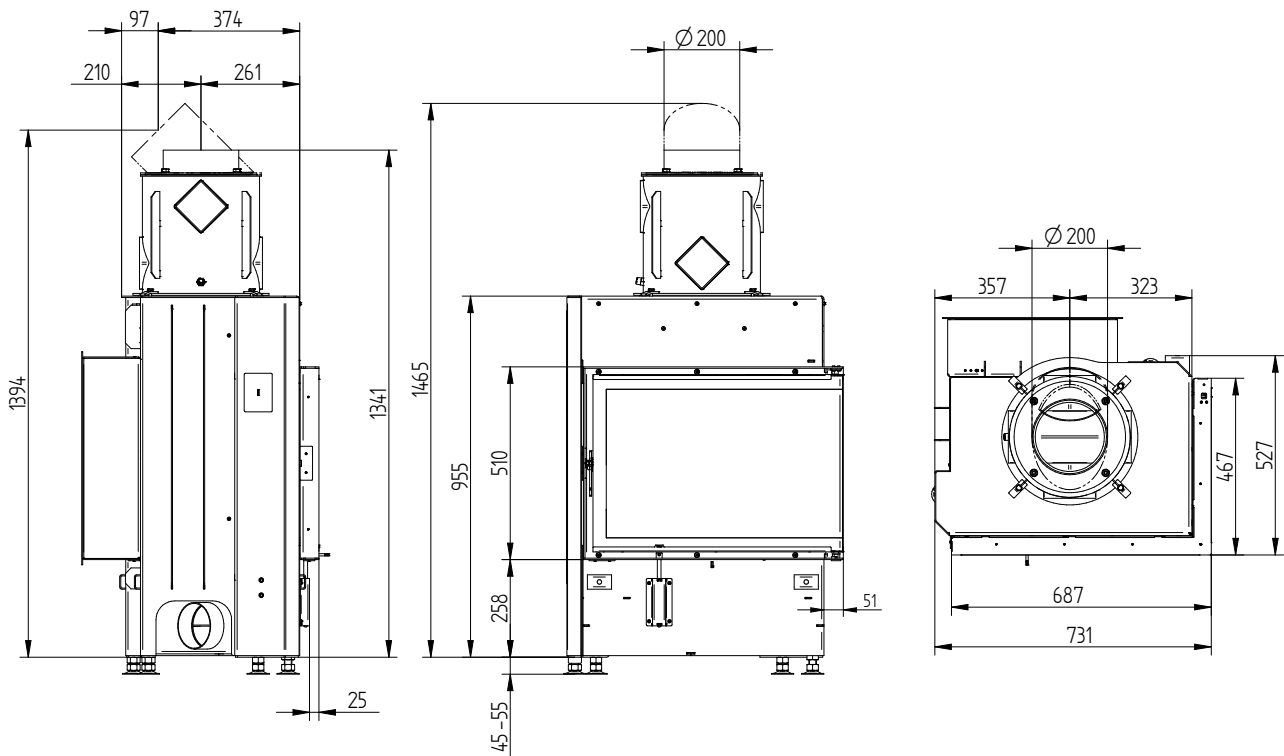
# ECKA 67/45/51Ra

Technical data  
Version 09/2023

## ECKA 67/45/51Ra right rear feeding side opening



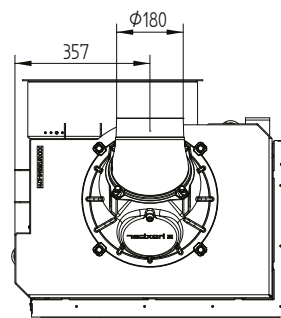
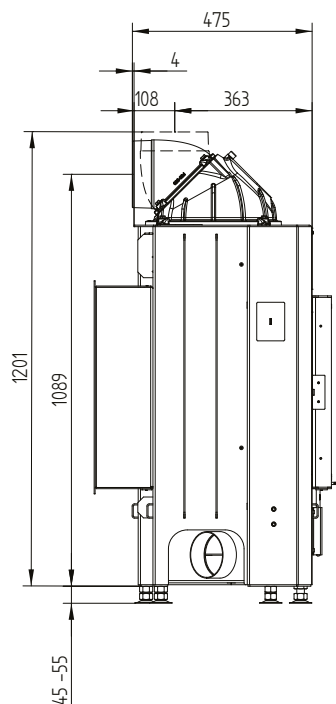
## ECKA 67/45/51Ra right rear feeding side opening hot air exchanger vertical / smoke outlet 45°



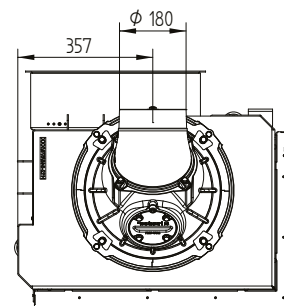
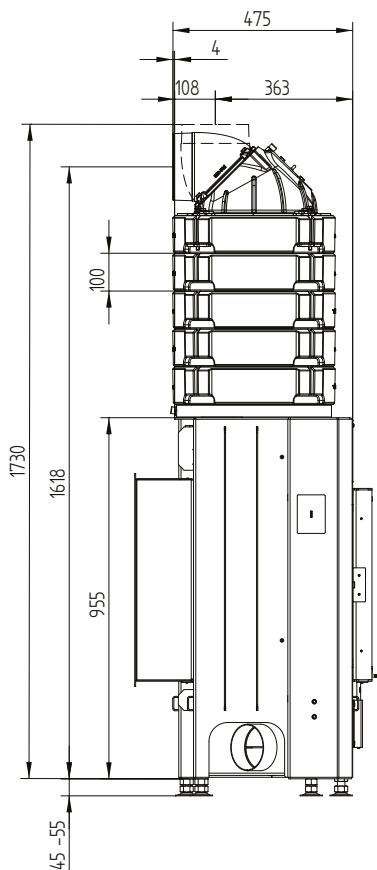
# ECKA 67/45/51Ra

Technical data  
Version 09/2023

## ECKA 67/45/51Ra right rear feeding side opening cupola



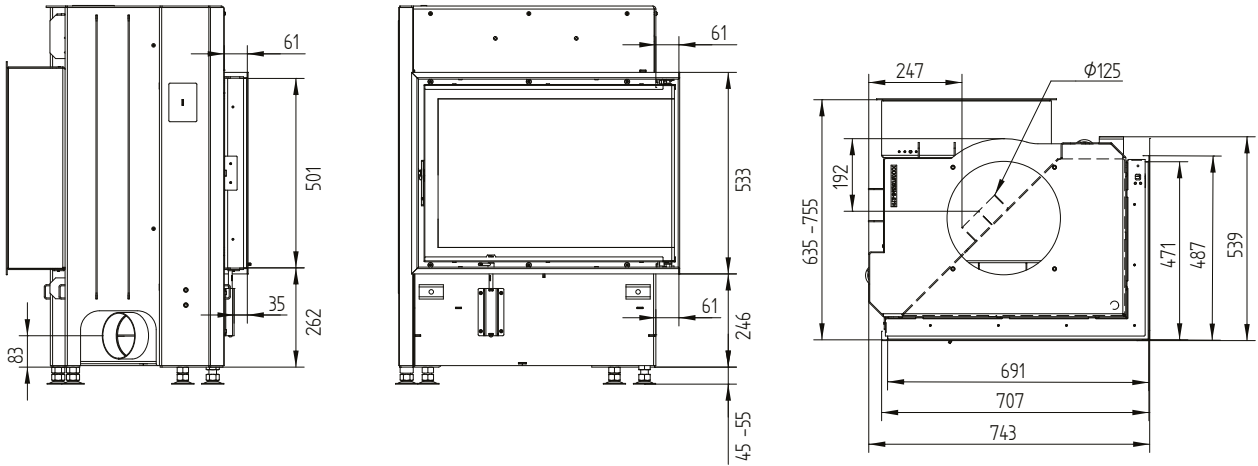
## ECKA 67/45/51Ra right rear feeding side opening accumulation set



# ECKA 67/45/51Ra

Technical data  
Version 09/2023

## Cover frame 67/45/51 left-right side opening 6sides 60 mm 1 x 90° / air inlet



## Build-on frame 67/45/51R right side opening 6sides 80 mm / feet

