

Technical data	operation when directly connected to chimney		operation when connected accumulation mass	
	A		A	
Energy label	A		A	
Operating data				
Nominal heat power	7 kW		----	
Efficiency	> 80 %		----	
Consumption of wood	2,2 kg/h		3,5 kg / 3,1 kg	
Total heat output of the burning chamber	----		14 kW / 12 kW	
Average heat output / heat accumulation time ⁵	----		1,4 kW / 8 h / 1,2 kW / 8 h	
Mass flow of flue gas	7 g/s		12 g/s / 11 g/s	
Required chimney pressure	12 Pa		12 Pa / 15 Pa	
Required amount of combustion air	20 m³/h		30 m³/h / 30 m³/h	
Average flue gas temperature				
on the output	270 °C		350 °C / 333 °C	
behind 2,4 m of ceramic accumulation system KMS 240 ¹	----		210 °C / ----	
behind S-accumulation rings (5x S-acc. ring Ø345mm)	----		---- / 211 °C	
Heat distribution				
fireplace insert	56–66 %		30 % / 30 %	
door glass (single / double)	44 / 0 %		44 / 0 % / 44 / 0 %	
additional accumulation mass	----		36–46 % / 36–46 %	
Information for ventilated builds				
Minimal grill area supply / outgoing	700 / 800 cm²		700 / 800 cm² / 700 / 800 cm²	
Minimum distance from insulated areas / floor	50 / 0 mm		50 / 0 mm	
Reference insulation ² ceiling / back wall / side wall / floor	120 / 70 / 0 / 0 mm		120 / 70 / 0 / 0 mm	
Calciumsilicate insulation ³ ceiling / back wall / side wall / floor	80 / 50 / 0 / 0 mm		80 / 50 / 0 / 0 mm	
Information for non-ventilated builds (closed grills)				
Minimum radiant area ⁴	suitable		3 m²	
Minimum distance from insulated areas / floor	50 / 20 mm		50 / 20 mm	
Reference insulation ² ceiling / back wall / side wall / floor	160 / 90 / 0 / 20 mm		160 / 90 / 0 / 20 mm	
Calciumsilicate insulation ³ ceiling / back wall / side wall / floor	120 / 70 / 0 / 20 mm		120 / 70 / 0 / 20 mm	
General technical information				
Total weight / lining weight	circa 155 / 40 kg		circa 155 / 40 kg	
Burning chamber dimensions (width x depth)	390 x 205 mm			
Combustion air connection	Ø 125 mm			
Use in non-ventilated accumulation builds according to craft rules	suitable			
Tested according to	EN 13229			
Meets values	1. BlmSchV (Stufe2), 15a BVG			

1 Listed value from testing. For accurate results is evaluation of each system in the Ortnr / KOV program necessary

2 Mineral wool according to AGI-Q 132

3 Example SkamoEnclosure Board 225 kg/m³

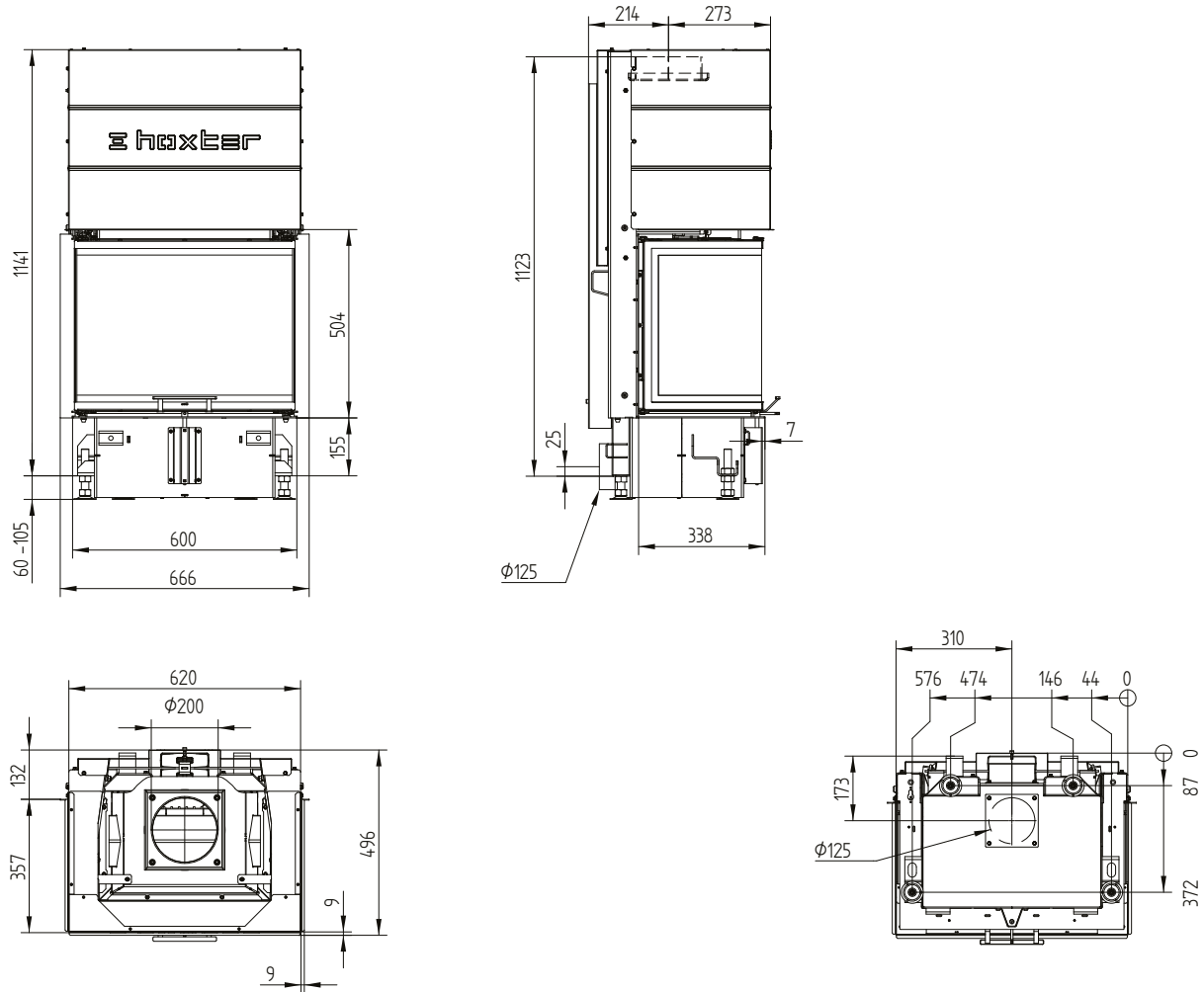
4 Depends on accumulation period and material characteristics. Listed values calculated with average specific heat output = approx. 500 W/m²

5 Storage operation, one wood charge for storage duration, with closed construction and efficiency > 80%

UKA 35/60/35/50Sh

Technical data
Version 09/2023

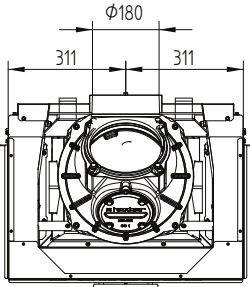
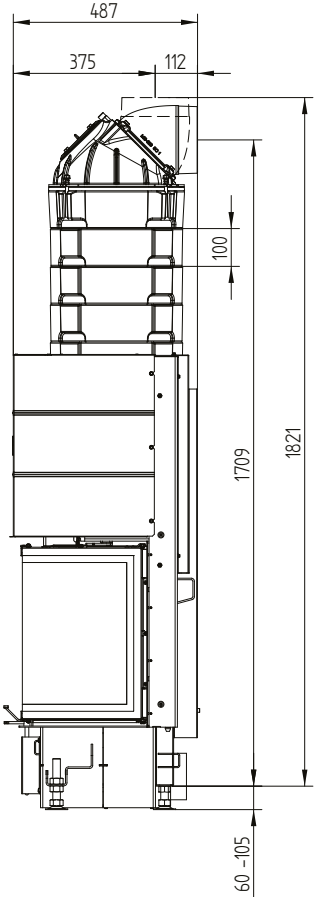
UKA 35/60/35/50Sh / air inlet / feet



UKA 35/60/35/50Sh

Technical data
Version 09/2023

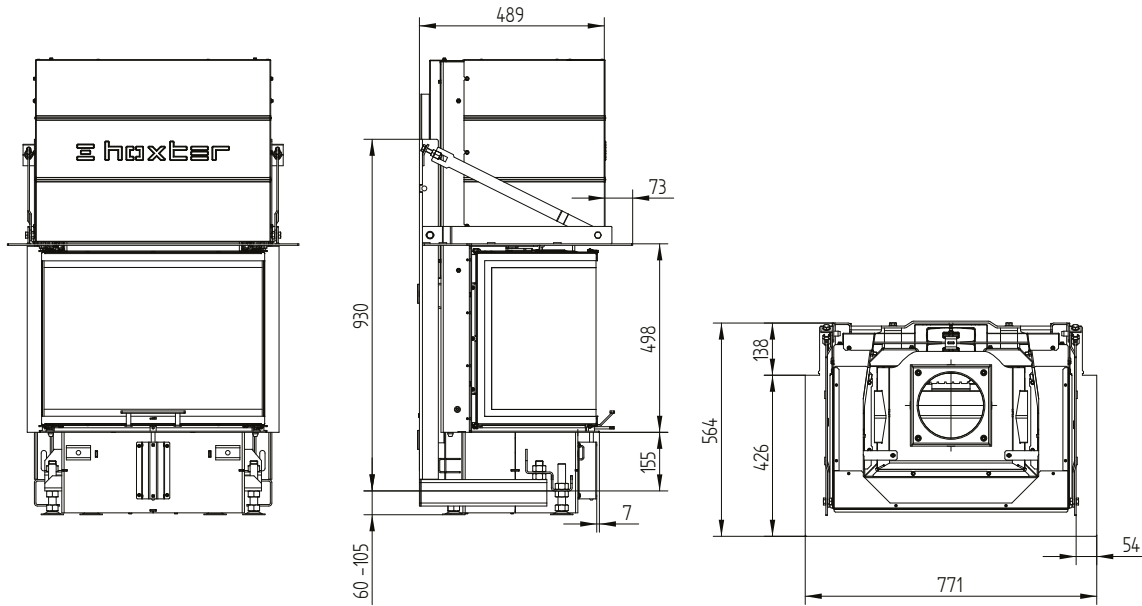
UKA 35/60/35/50Sh S-accumulation set



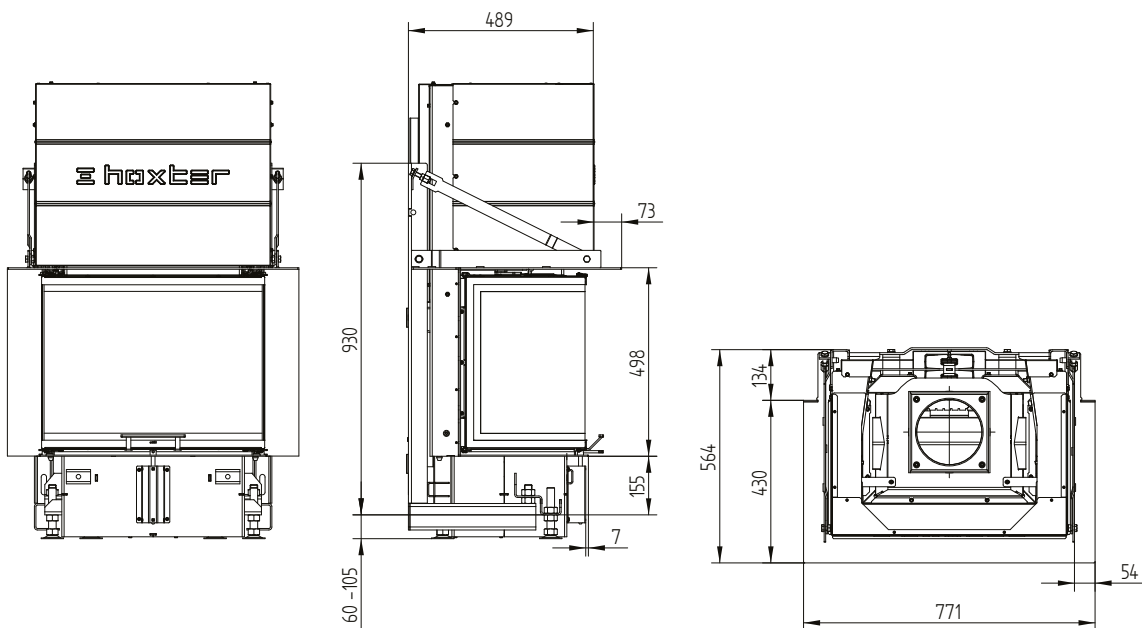
UKA 35/60/35/50Sh

Technical data
Version 09/2023

UKA 35/60/35/50Sh supporting construction incl. build-on frame 3sides 70 mm



UKA 35/60/35/50Sh supporting construction incl. build-on frame 5sides 70 mm



UKA 35/60/35/50Sh

Technical data
Version 09/2023

UKA 35/60/35/50Sh supporting construction incl. build-on frame 8sides 70 mm

