

| | operation when directly connected to chimney | operation when connected accumulation mass | |
|--|---|---|---------------------------|
| | | A+ | A+ |
| Energy label | A+ | A+ | A+ |
| Operating data | | | |
| Nominal heat power | 7 kW | ---- | ---- |
| Efficiency | > 80 % | ---- | ---- |
| Consumption of wood | 2 kg/h | 4 kg | 3,5 kg |
| Total heat output of the burning chamber | ---- | 16 kW | 14 kW |
| Average heat output / heat accumulation time ⁵ | ---- | 1,6 kW / 8 h | 1,4 kW / 8 h |
| Mass flow of flue gas | 5,7 g/s | 13 g/s | 12 g/s |
| Required chimney pressure | 12 Pa | 12 Pa | 15 Pa |
| Required amount of combustion air | 20 m ³ /h | 35 m ³ /h | 30 m ³ /h |
| Average flue gas temperature | | | |
| on the output | 228 °C | 355 °C | 340 °C |
| behind 2,4 m of ceramic accumulation system KMS 240 ¹ | ---- | 215 °C | ---- |
| behind S-accumulation rings (5x S-acc. ring Ø345mm) | ---- | ---- | 220 °C |
| Heat distribution | | | |
| fireplace insert | 50 % | 35 % | 35 % |
| door glass (single / double) | 50 / - % | 50 / - % | 50 / - % |
| additional accumulation mass | ---- | 15 % | 15 % |
| Information for ventilated builds | | | |
| Minimal grill area supply / outgoing | 700 / 800 cm ² | 700 / 800 cm ² | 700 / 800 cm ² |
| Minimum distance from insulated areas / floor | 50 / 0 mm | 50 / 0 mm | |
| Reference insulation ² ceiling / back wall / side wall / floor | 120 / 70 / 0 / 0 mm | 120 / 70 / 0 / 0 mm | |
| Calciumsilicate insulation ³ ceiling / back wall / side wall / floor | 80 / 50 / 0 / 0 mm | 80 / 50 / 0 / 0 mm | |
| Information for non-ventilated builds (closed grills) | | | |
| Minimum radiant area ⁴ | suitable | 3,5 m ² | |
| Minimum distance from insulated areas / floor | 50 / 20 mm | 50 / 20 mm | |
| Reference insulation ² ceiling / back wall / side wall / floor | 160 / 90 / 0 / 20 mm | 160 / 90 / 0 / 20 mm | |
| Calciumsilicate insulation ³ ceiling / back wall / side wall / floor | 120 / 70 / 0 / 20 mm | 120 / 70 / 0 / 20 mm | |
| General technical information | | | |
| Total weight / lining weight | circa 185 / 55 kg | circa 185 / 55 kg | |
| Burning chamber dimensions (width x depth) | 590 x 205 mm | | |
| Combustion air connection | Ø 125 mm | | |
| Use in non-ventilated accumulation builds according to craft rules | suitable | | |
| Tested according to | EN 13229 | | |
| Meets values | 1. BImSchV (Stufe2), 15a BVG | | |

1 Listed value from testing. For accurate results is evaluation of each system in the Ortner / KOV program necessary

2 Mineral wool according to AGI-Q 132

3 Example SkamoEnclosure Board 225 kg/m³

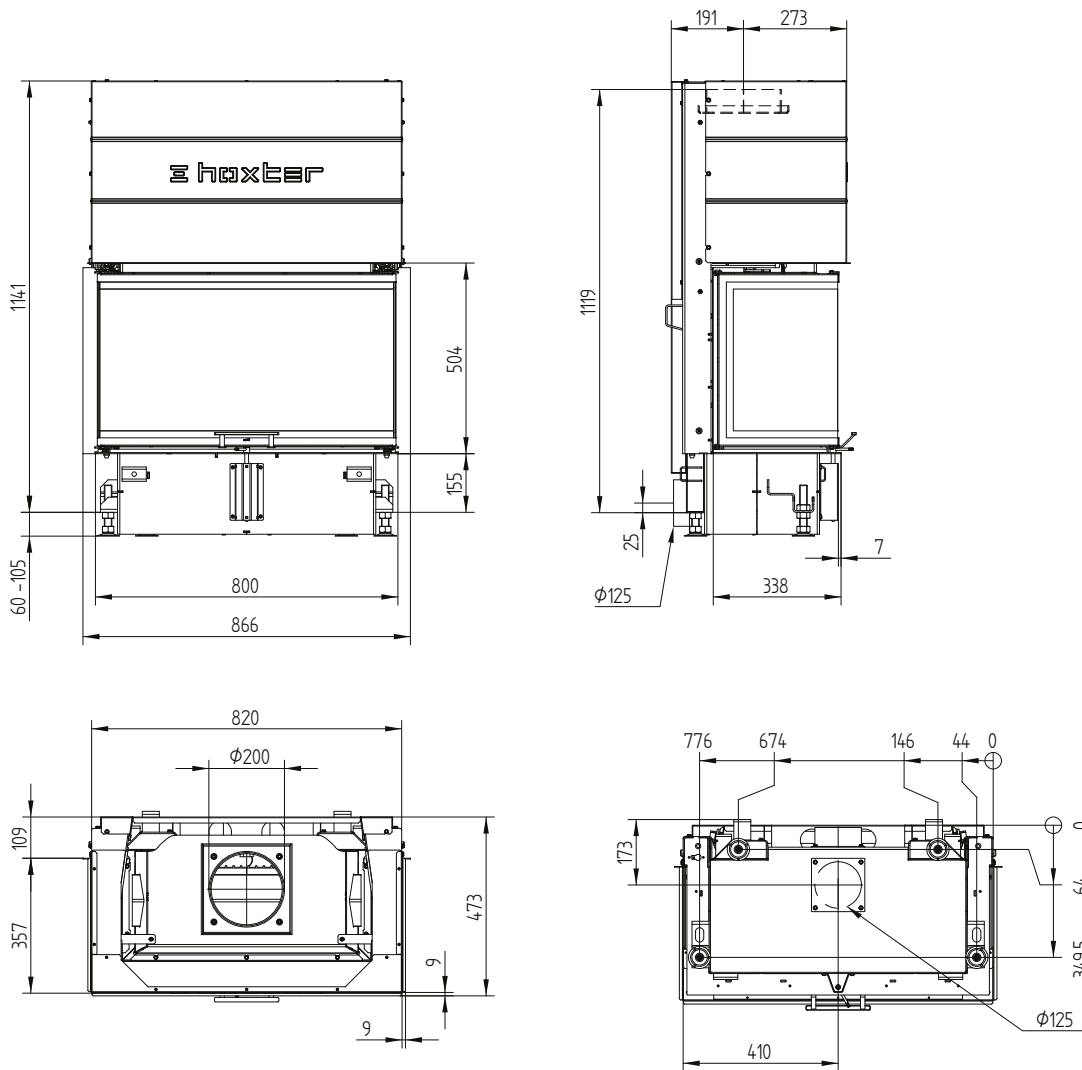
4 Depends on accumulation period and material characteristics. Listed values calculated with average specific heat output = approx. 500 W/m²

5 Storage operation, one wood charge for storage duration, with closed construction and efficiency > 80%

UKA 35/80/35/50Sh

Technical data
Version 09/2023

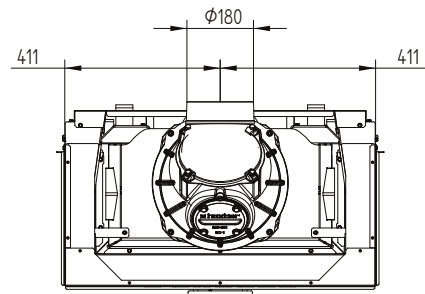
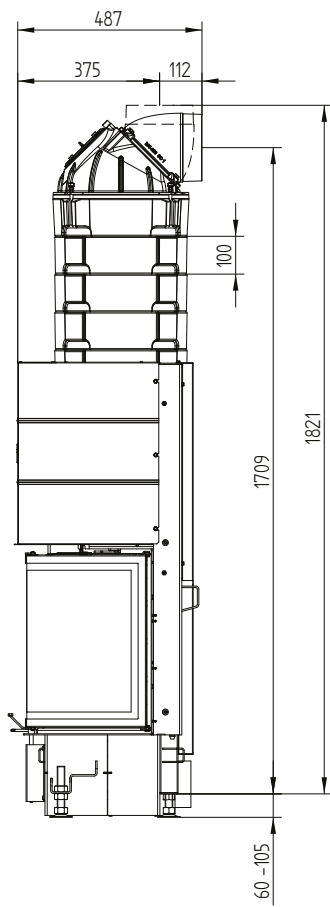
UKA 35/80/35/50Sh / air inlet / feet



UKA 35/80/35/50Sh

Technical data
Version 09/2023

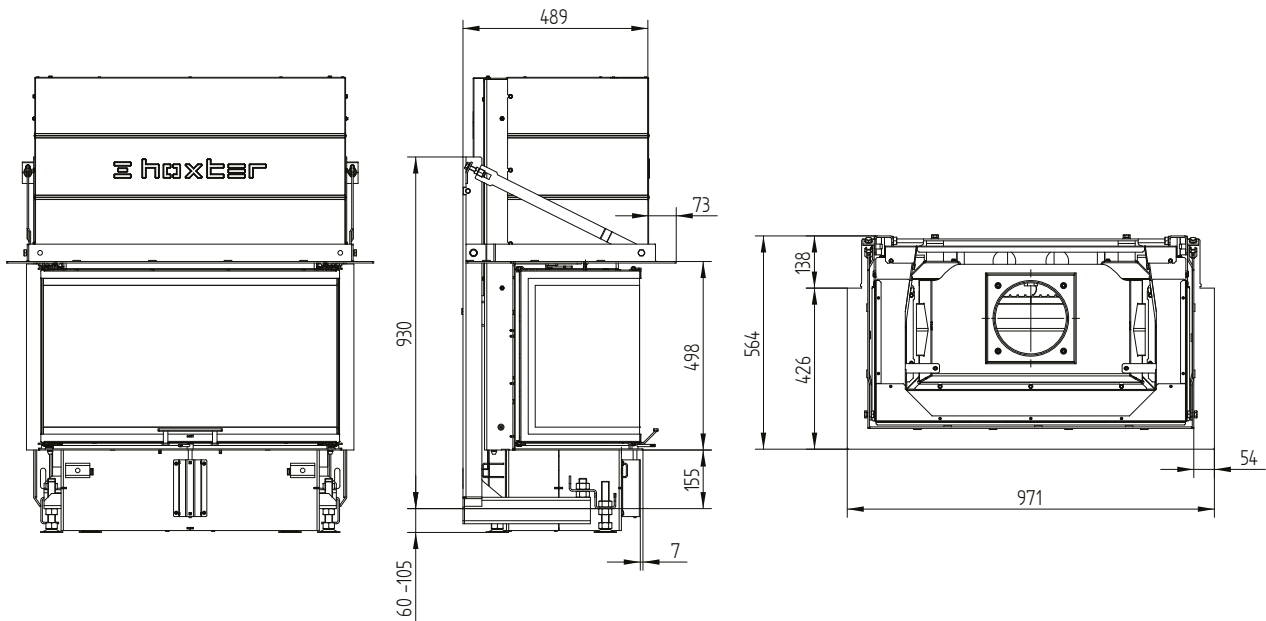
UKA 35/80/35/50Sh S-accumulation set



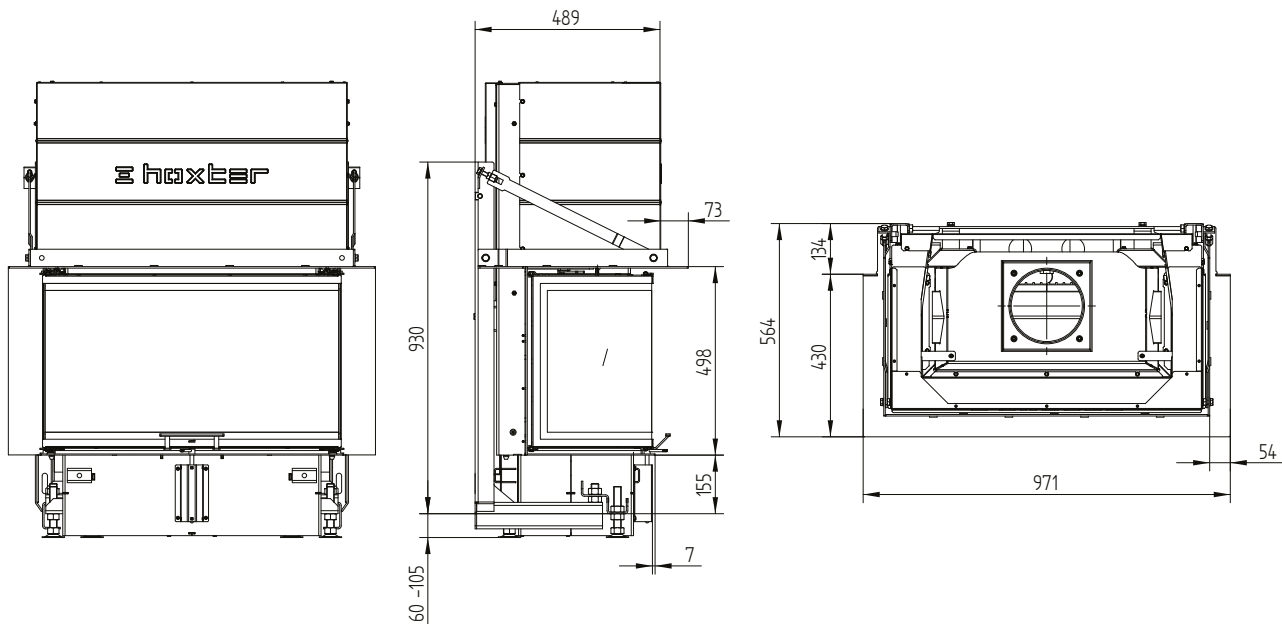
UKA 35/80/35/50Sh

Technical data
Version 09/2023

UKA 35/80/35/50Sh supporting construction incl. build-on frame 3sides 70 mm



UKA 35/80/35/50Sh supporting construction incl. build-on frame 5sides 70 mm



UKA 35/80/35/50Sh

Technical data
Version 09/2023

UKA 35/80/35/50Sh supporting construction incl. build-on frame 8sides 70 mm

