

hoxter

Fireplace technology

Gas fireplace
inserts







Gas fireplaces

At the beginning of our efforts intended to build a functional and esthetic fireplace without the need of adding wood seemed like a challenge. But the raising number of customers, desiring to heat apartments in a city without limits, effort and sweeping the ashes, convinced us. We embarked on the development. New ways to fulfill this desire have opened up with new technological possibilities. Since then we came a long way. Super realistic flames, environmentally friendly operation, simple controls with no effort, and perfect support for You - stove fitters. Meet the Hoxter gas fireplace and discover its advantages like easy and clean montage or ecological operation. We are with you in this.

100% serviceability

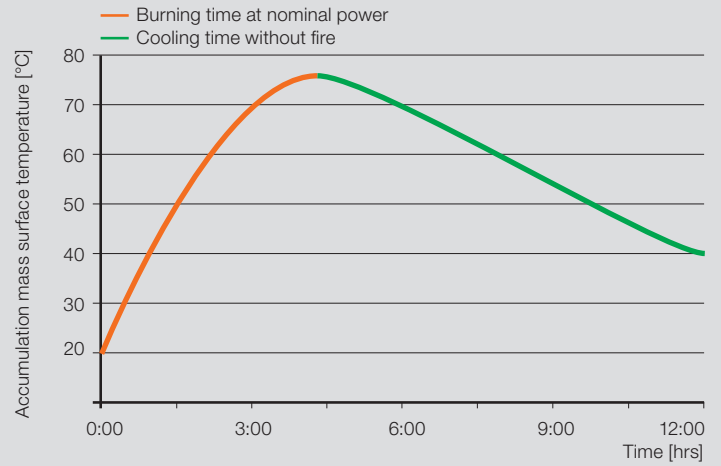
Problem-free access to all components via the combustion chamber even after being built into the enclosure.



 **resideo**

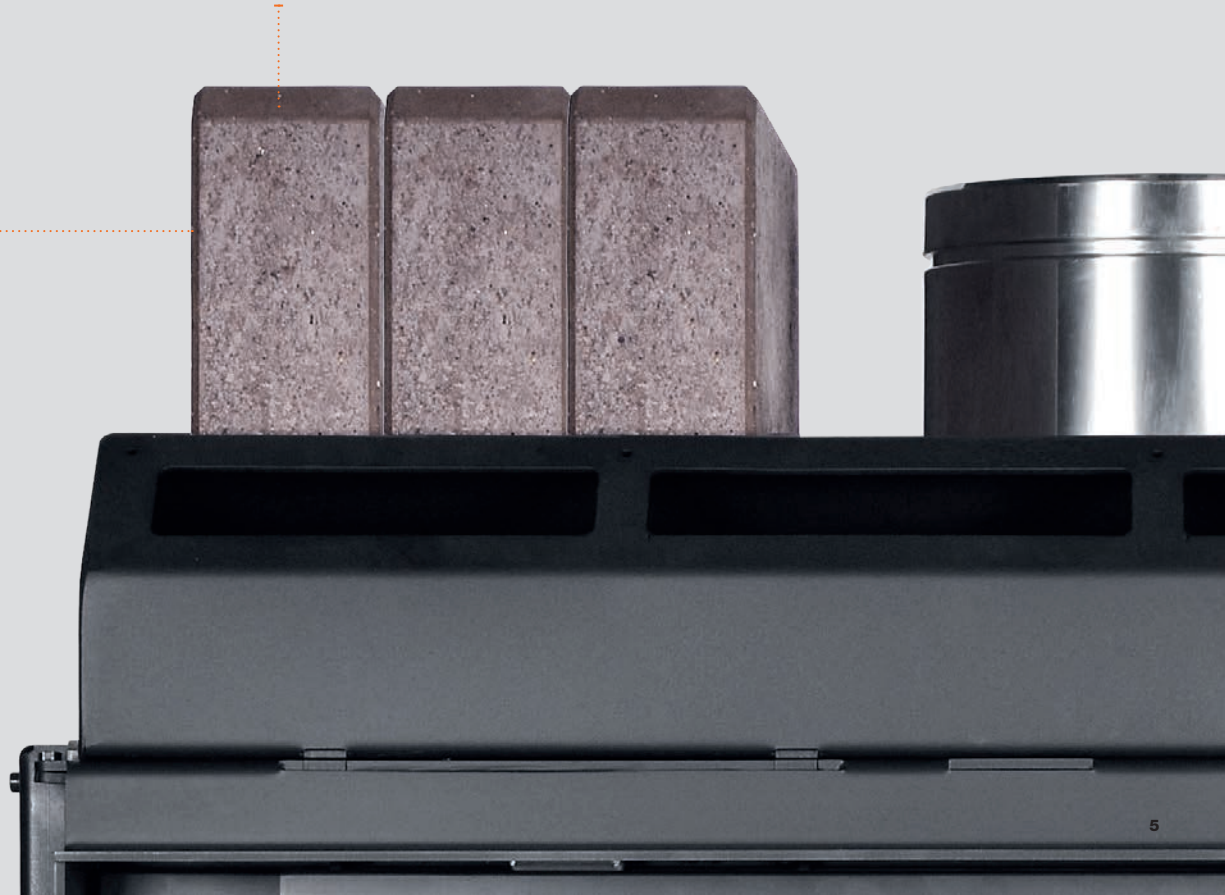
Accumulation operation

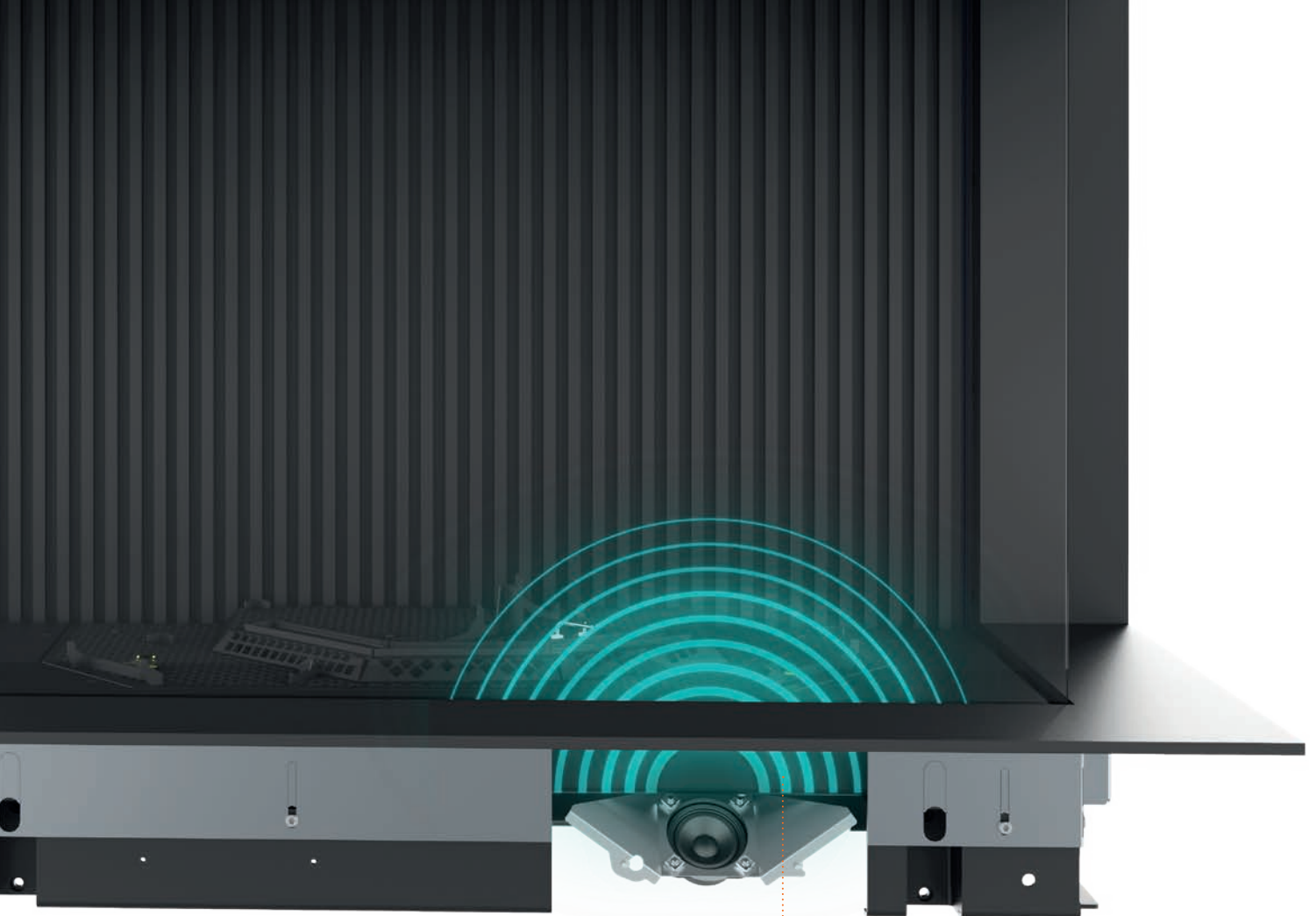
Our gas fireplace inserts are robustly constructed with materials suitable into the radiant enclosure to increase heat and useful comfort of the whole appliance.



Number of blocks in accumulation mass set is dependent on the size of model

Each accumulation block with the volumetric weight of 3 250 kg/m³ weights 20 kg





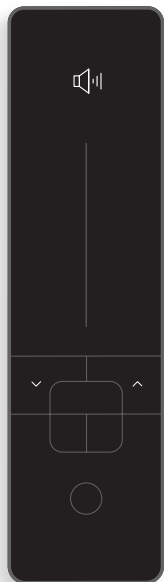
The sound spreads into
to room in front
the front glass

Sound of burning wood

Flawless flames are completed by the sound of burning wood from integrated speakers in the lower part of the combustion chamber. The whole solution is designed to withstand thermal load and sound spreads from the area of the front glass.

Sound control

Sound function is available if the Audio module is added and the volume intensity is set on the remote control, or it is part of the Wi-Fi module with extended control in the Hoxter application.



Integrated speaker with
100 °C heat resistance

Speakers are accessible
via a revision opening in the
bottom of the combustion
chamber



VISATON
GERMANY

Speakers with high resistance

The sound of burning wood is provided by speakers with 12 W power and 100 °C heat resistance. Speakers are connected to a technical box by silicone cables.

Authentic wood burning

The key part of a perfect fireplace atmosphere is the appearance of the combustion chamber. Our gas fireplace inserts have a combustion chamber furnished with shaped 3D bottom and two separately controlled types of burners.

UKA G-82 / Maximum output / Smooth lining / Natural color ceramic logs



Eko mode

It is possible to run our products in low intensity - Eko mode, where only primary burners are active and power output is low round 2 kW.

Random mode

When set to random mode the intensity of all burners is continuously changing in the range from 30 to 100 %. This function completes the feel of natural flames and lowers gas consumption.

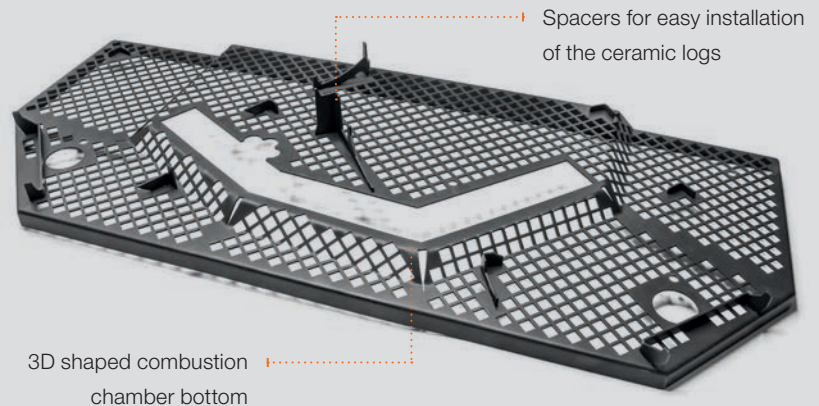


Integrated burners in ceramic logs

Secondary burners are integrated into ceramic logs which authentically imitate burning wood. Flat primary burners provide problem-free and safe ignition and flame ionization control.

3D combustion chamber

Installation of ceramic logs is simple thanks to spacers defining exact position. Bottom of combustion chamber is shaped into two levels for more realistic appearance.



Dynamic embers glow

All our gas fireplace inserts include an LED dynamic backlight. The combustion chamber backlight is provided by PCB with three LED spots and a microprocessor controlling the variable lighting of each LED spot. PCB is equipped with a cooler to ensure thermal protection and with milk glass to optimize light propagation in the combustion chamber. All results in dynamic ember glow.





LED spots



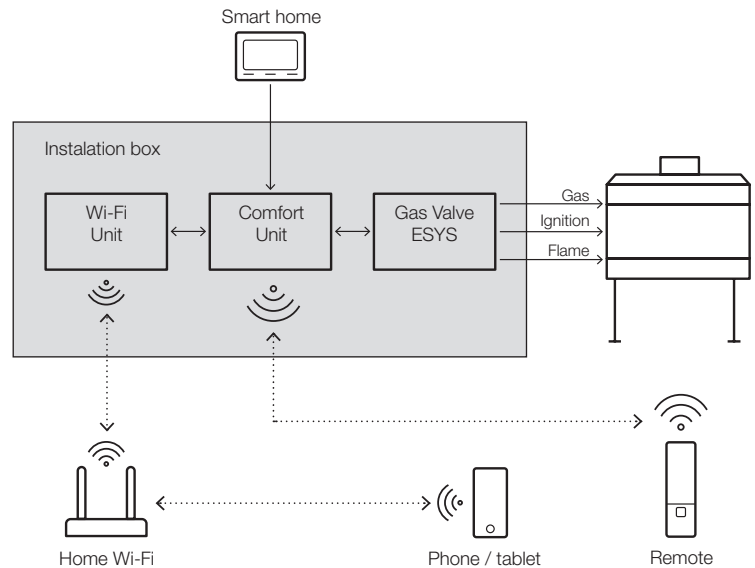
Milk glass
optimizes light
propagation

The microprocessor for
dynamic embers glow



Reliable communication

Control of the gas fireplace insert is centralized into Hoxter Comfort Unit in the technical box. The Comfort Unit can communicate with remote control or with a Smart Home interface with up to ten preset control modes. Wi-Fi Unit extends control via the Hoxter application which communicates with the home Wi-Fi net.



High-quality remote control

We place great importance on intuitive controls concerning modern trends in mobile electronics. We developed remote control with energy saving OLED display covered by glass and uses Bluetooth technology to communicate. Signal reach in living rooms is according to local conditions up to 25 m and the signal penetrates through obstacles corresponding to a concrete slab of 30 cm thickness.

Control functions:

- Flame intensity low / medium / high / random
- Thermostat
- Embers glow intensity
- Sound volume (only Wi-Fi or Audio Unit)
- Timer



Phone app

It is possible to control all gas fireplace insert models with phone app Hoxter. Wi-fi Unit located inside technical box communicate via home Wi-Fi with paired mobile device with Android or iOS. In addition to the basic functions, phone app allows to control sound or the amount of operating costs.

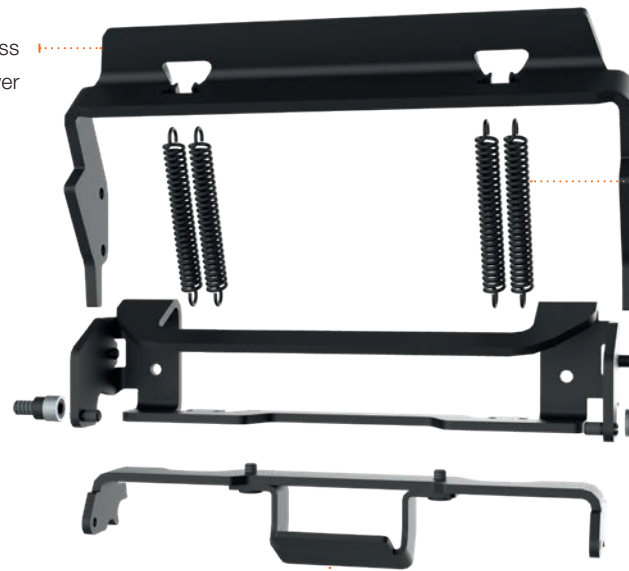


Sophisticated opening mechanism with a safety function

The opening mechanism based on the flipping principle is easy to use. Open with one button and close just by pushing. Tilting of front glass into an open position makes it accessible for cleaning, this position is secured by holders. The front glass is held in the closed position by springs in the mechanism, which provides maximum tightness of the device. The springs ensure safe overpressure release function as well. The second safety overpressure element is the flap using gravity.



The front glass
pressure lever

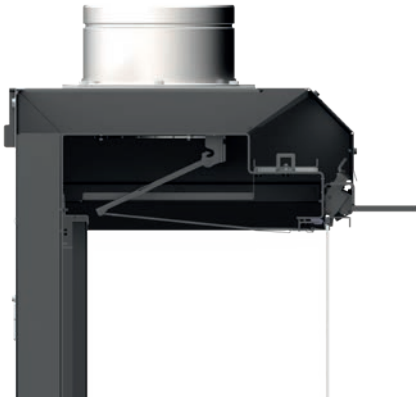


Compression spring
with 70 N force

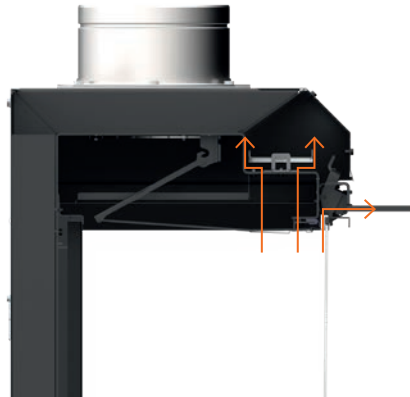
Pin with sliding
contact sleeve
in the pressure
axis

Opening button

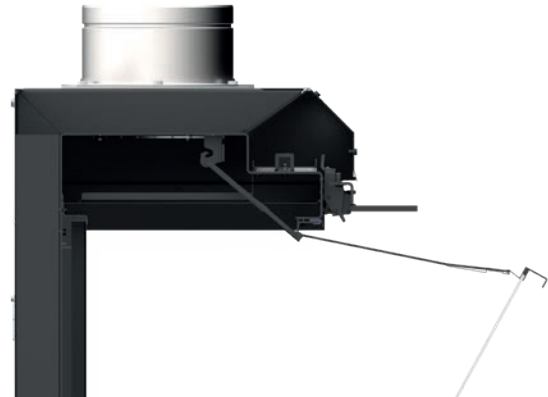
Front glass
in closed position



Position of front glass and overpressure flap
in case of overpressure in combustion chamber



Front glass in open
position for cleaning



Maximum customization of visible surfaces

We tailored our products bearing in mind that customization of gas fireplace inserts to individual requirements is particularly important. Almost all visible surfaces can be exchanged with individual materials with adequate temperature resistance (natural stone, ceramic, etc.).





Individual material as part of the combustion chamber

The bottom build-on frame and outer combustion chamber frame can be lowered up to 30 mm and create a supporting element for individual material, which visually eliminates the presence of glass. Side build-on frames can be moved up to 30 mm as well which connects to the replaceable back wall in the combustion chamber.

Build-on frames

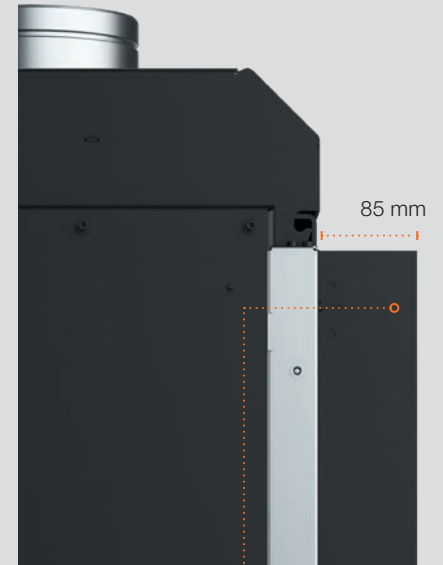
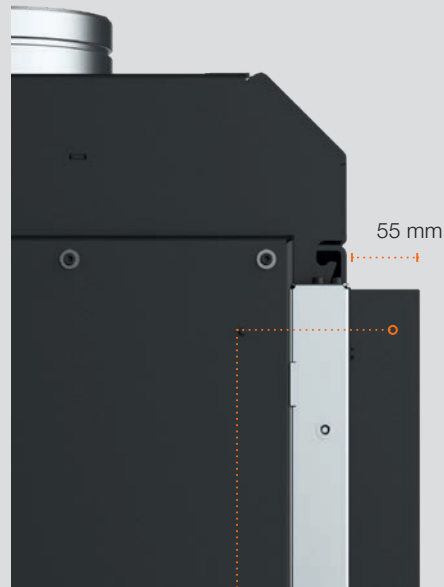
Build-on frames with 4 mm thickness

This configuration has a 30 mm depth and a visibly recognized side frame of the front glass.



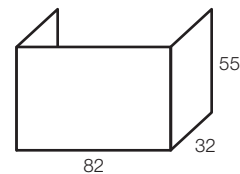
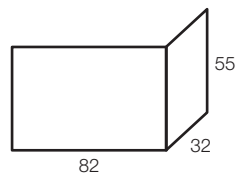
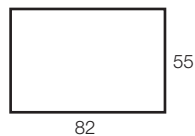
Build-on frames with 8 mm thickness

Configuration with a frame depth of 55 or 85 mm has a frameless appearance. To open the front glass it is necessary to take out side frames from magnetic holders.

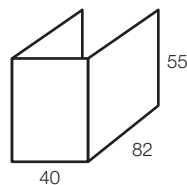
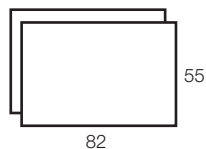


Models overview

G-82

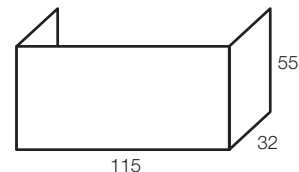
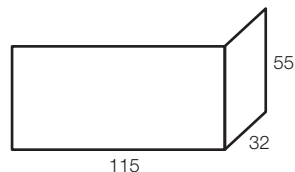
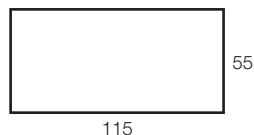


MAX / MIN POWER OUTPUT	HAKA G-82	ECKA G-82	UKA G-82
G20 Natural gas (20 mbar)	7,1 / 1,5 kW	7,1 / 1,5 kW	7,1 / 1,5 kW
G25 Natural gas (25 mbar)	6,7 / 1,3 kW	6,7 / 1,3 kW	6,7 / 1,3 kW
G30 propane (28-30 mbar)	6 / 1,8 kW	6 / 1,8 kW	6 / 1,8 kW
G31 propane (50mbar)	6 / 1,9 kW	6 / 1,9 kW	6 / 1,9 kW



MAX / MIN POWER OUTPUT	HAKA G-82T	UKA G-82RD (Room divider)
G20 Natural gas (20 mbar)	7,3 / 2,4 kW	7,3 / 2,4 kW
G25 Natural gas (25 mbar)	7,0 / 2,2 kW	7,0 / 2,2 kW
G30 propane (28-30 mbar)	6 / 2,1 kW	6 / 2,1 kW
G31 propane (50mbar)	6 / 1,9 kW	6 / 1,9 kW

G-115



MAX / MIN POWER OUTPUT	HAKA G-115	ECKA G-115	UKA G-115
G20 Natural gas (20 mbar)	8,4 / 1,9 kW	8,4 / 1,9 kW	8,4 / 1,9 kW
G25 Natural gas (25 mbar)	8,1 / 1,9 kW	8,1 / 1,9 kW	8,1 / 1,9 kW
G30 propane (28-30 mbar)	8,2 / 1,8 kW	8,2 / 1,8 kW	8,2 / 1,8 kW
G31 propane (50mbar)	7 / 1,9 kW	7 / 1,9 kW	7 / 1,9 kW

Hoxter a.s.

Jinačovice 512
66434 Jinačovice
Česká republika
Tel.: +420 518 777 701
E-mail: info@hoxter.eu

Stand 08/2023

EN-M1000453

www.hoxter.eu

Hoxter GmbH

Haidmühlweg 5
92665 Altenstadt an der Waldnaab
Deutschland
Tel.: +49(0)9602 944 7944
E-mail: info@hoxter.de